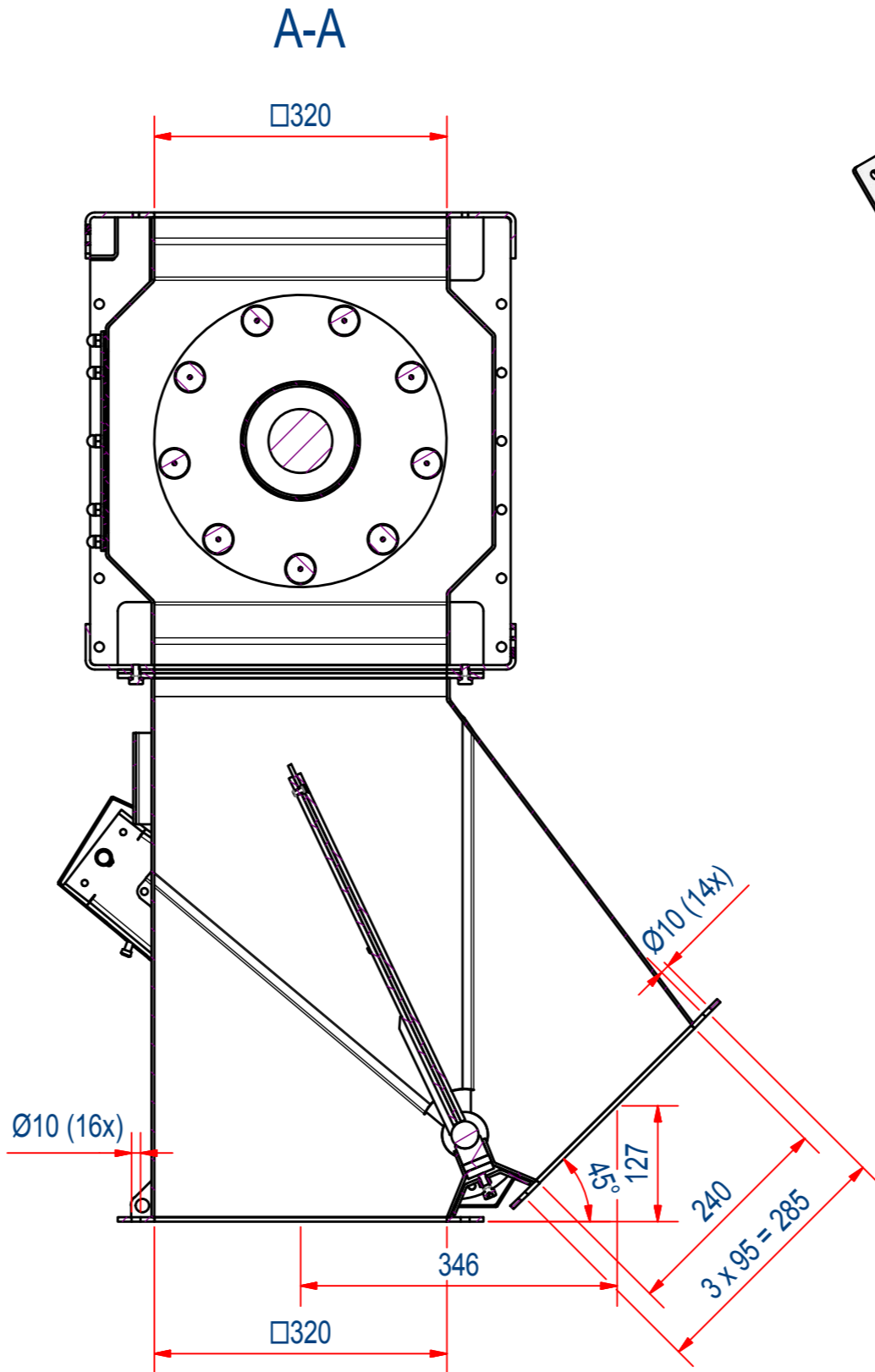
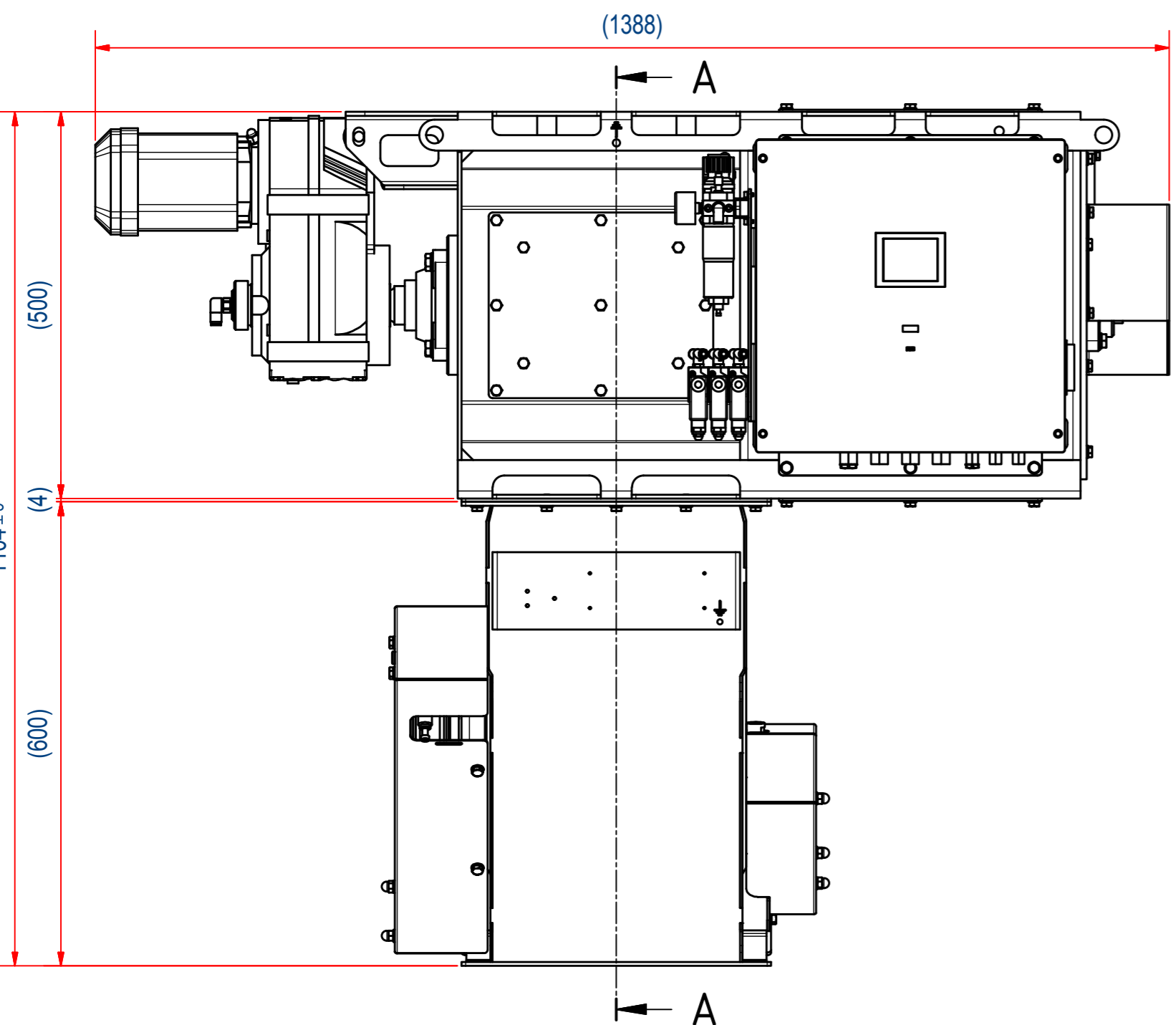
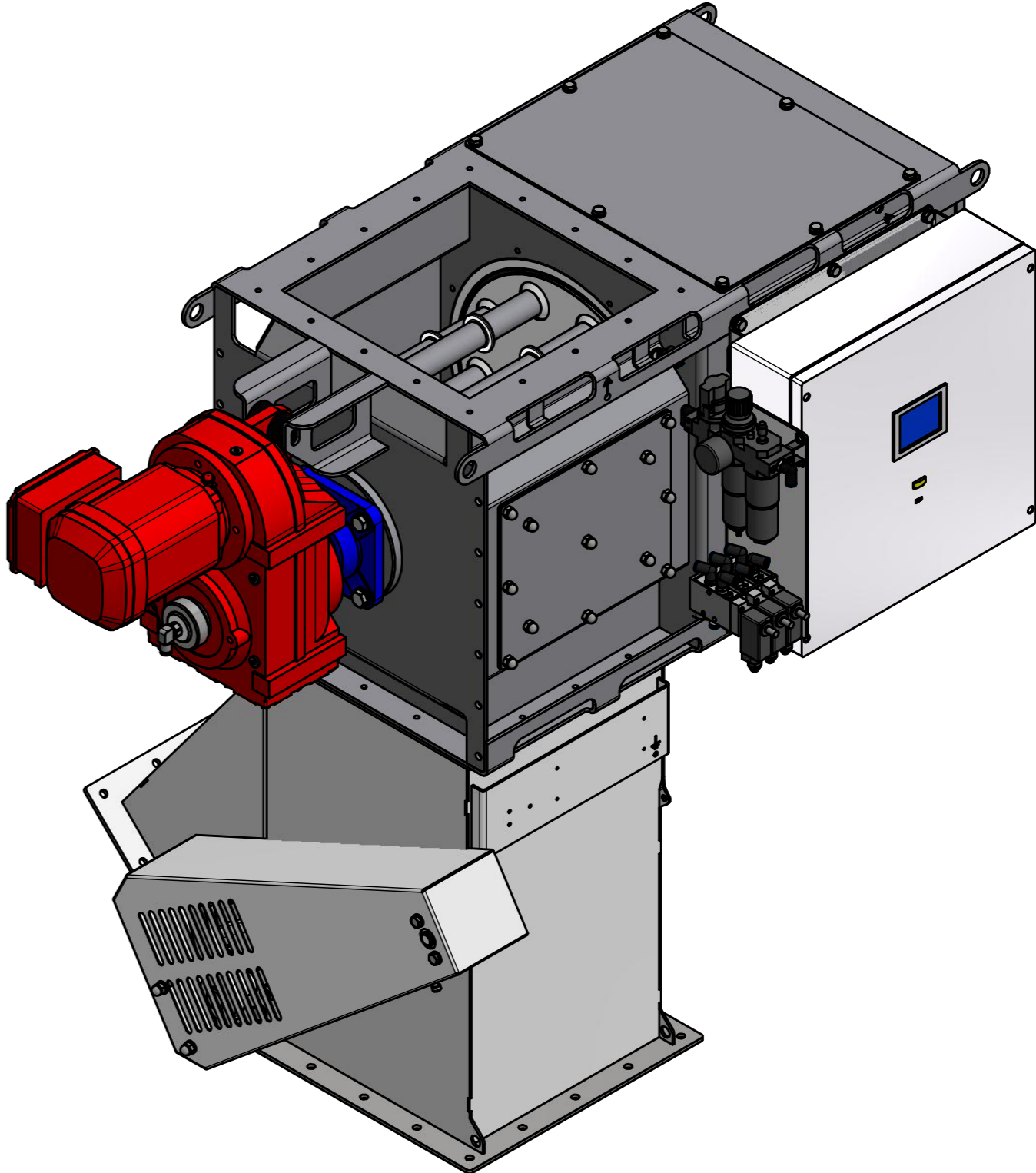
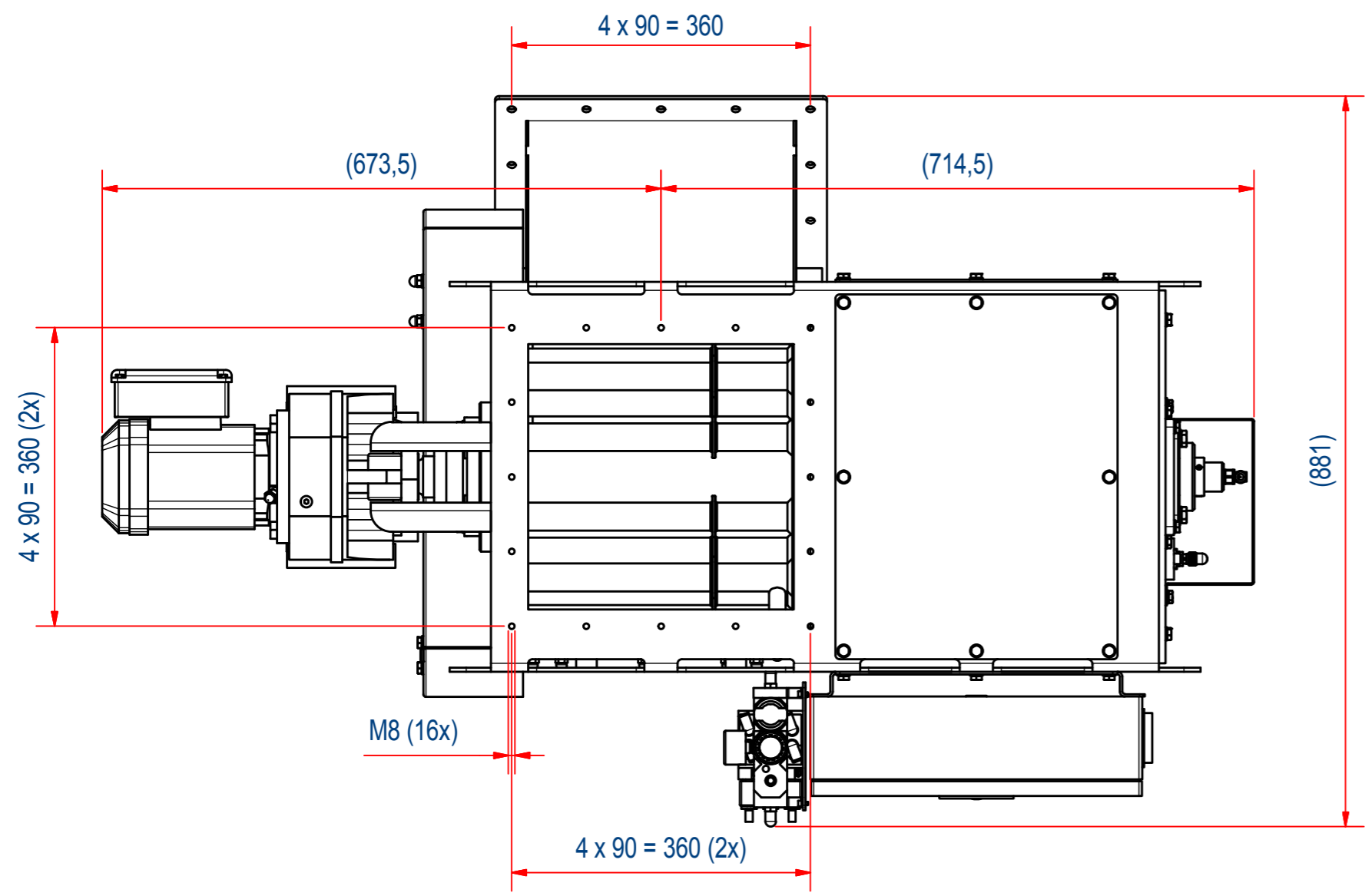


NEXT STEP automation

(주)넥스텝

Tel. 053-604-3040 Fax. 053-604-3042
 Web.nstep.co.kr Mob.010-4488-3040

REV	DATE	BY	DESCRIPTION
-	10-12-2013	AvD	NEW REVISION VAULT, NOTHING CHANGED, OLD REV WAS A
A	24-10-2014	AvD	MS03700501 REPLACED FOR MS03700503, HT ADDED TO DESCRIPTION, NEW TYPE CONTROLBOX ADDED
B	8-12-2014	AvD	UNDERLYING DRAWING ADDED



VALVE BOX CAN BE MOUNTED IN FOUR DIRECTIONS (STANDARD AS ON DRAWING)

ITEM	QTY	E0025872	CD ROT #320 9B VALVE ES EX22	Dimensions	
RAW MAT.	QTY	MAT. NUMBER	MAT. DESCRIPTION	LENGTH (mm)	WIDTH (mm)
1	1	E0025872	CD ROT #320 9B VALVE ES EX22		
Sheet: A2		Extra info:		General tolerance: ISO 2768 - mK	
Drawn: AVD		Weight (kg): 254,4		Drawn according: ISO268; ISO1101; ISO2553	
Date: 4-12-2013		Goudsmit MAGNETIC SYSTEMS		Status: Released	
Spare part: False		© All rights reserved. Reproduction is not permitted without written permission of GOUDSMIT Magnetic Systems BV		Customer reference number:	
Quick search: CD3232		SRCD-3232-09Q-N-F1H-V-L-B-B		File number: SRCD320018	
Description: SRCD-3232-09Q-N-F1H-V-L-B-B		Part number: SRCD320018		Rev: B	